

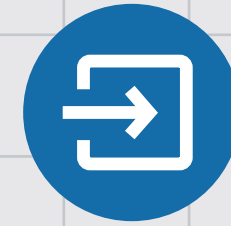
TSL9A12 Series

Nanopower I_Q 600nA

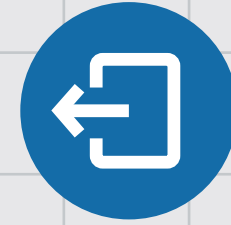
LDO Linear Regulator

The TSL9A12 series of ultra-low quiescent current regulators features low dropout voltage and low current in the standby mode with 600nA quiescent current at no load. It is ideally suited for standby micro-control-unit systems, especially for always-on applications like portable, and other battery-operated systems. The TSL9A12 series retains all the features that are common to low dropout regulators including a low dropout PMOS pass device, short circuit protection and thermal shutdown.

FEATURES



INPUT VOLTAGE
UP TO **6V**



FIXED OUTPUT VOLTAGES
1.8V & 3.3V

± 2%

OUTPUT VOLTAGE
ACCURACY

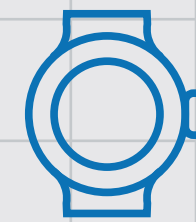
600nA

ULTRA-LOW
QUIESCENT CURRENT

APPLICATIONS



WIRELESS
COMMUNICATION
EQUIPMENT

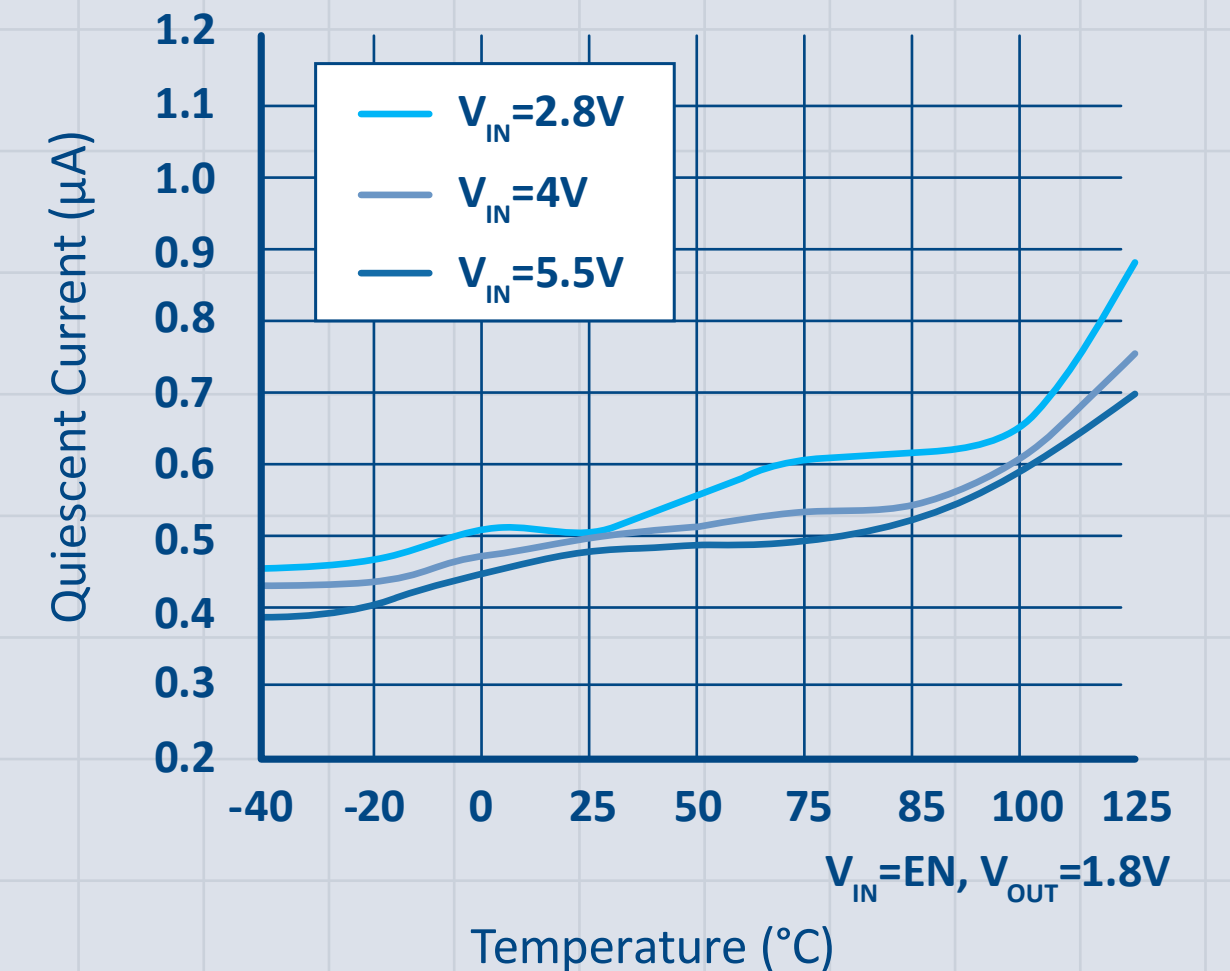
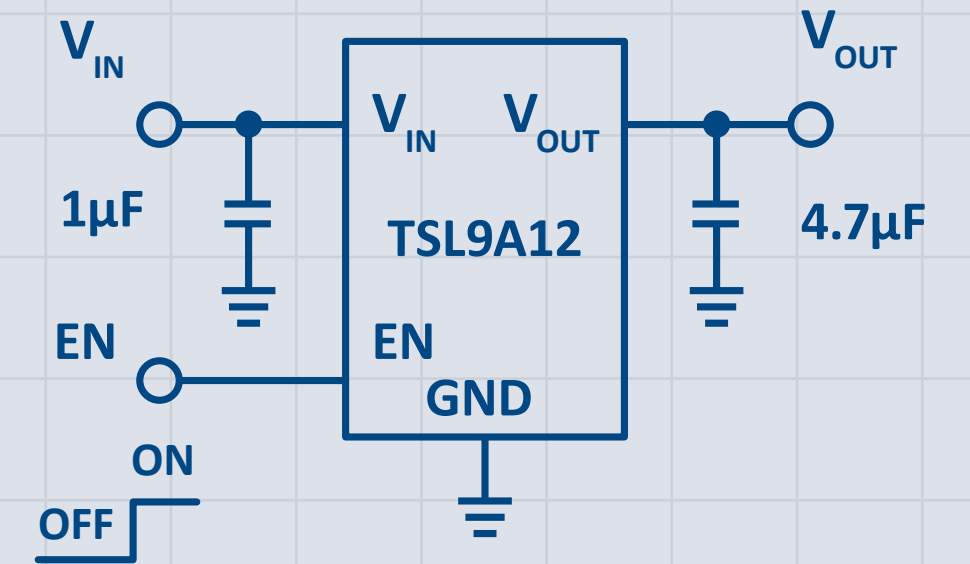


MOBILE
& WEARABLE



LOW POWER
MICROCONTROLLERS

Typical Application Circuit



SPECIFICATION

Part number	Package	V _{IN} Max. (V)	V _{OUT} (V)	I _{OUT} (mA)	I _Q Typ. (µA)	I _R Max. (µA)	I _{DROP} Max. (mA)	Enable
TSL9A12V18CX	SOT-23	6	1.8	200	0.6	1.2	670@ 200mA	No
TSL9A12V18CX5	SOT-25		Yes					
TSL9A12V33CX	SOT-23	6	3.3	200	0.6	1.2	575@ 200mA	No
TSL9A12V33CX5	SOT-25		Yes					



Official Website



X



LinkedIn

For more information: marketing@ts.com.tw

© 2024 TAIWAN SEMICONDUCTOR, CO., LTD. ALL RIGHTS RESERVED.



TAIWAN
SEMICONDUCTOR

www.taiwansemi.com